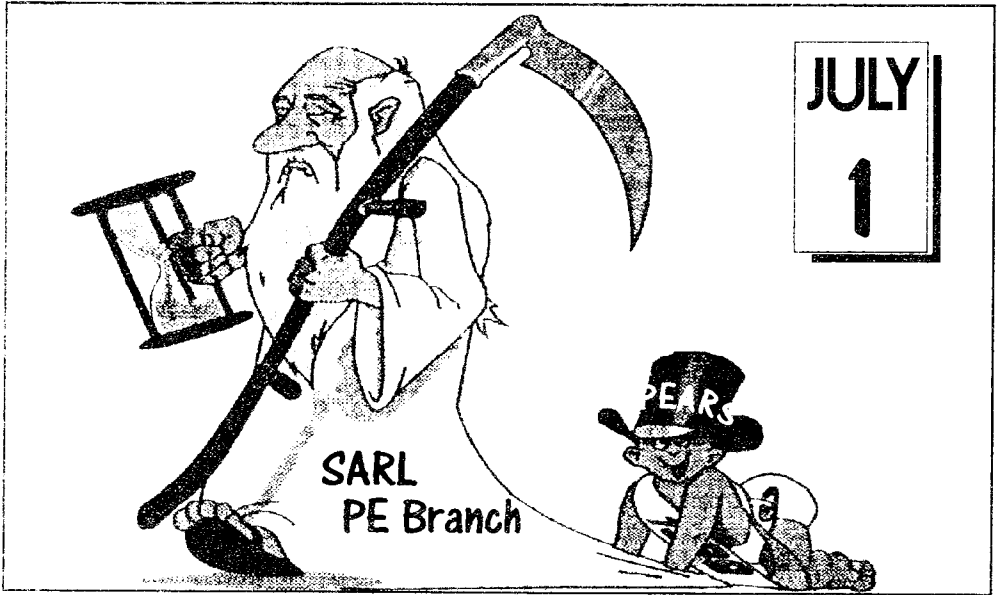
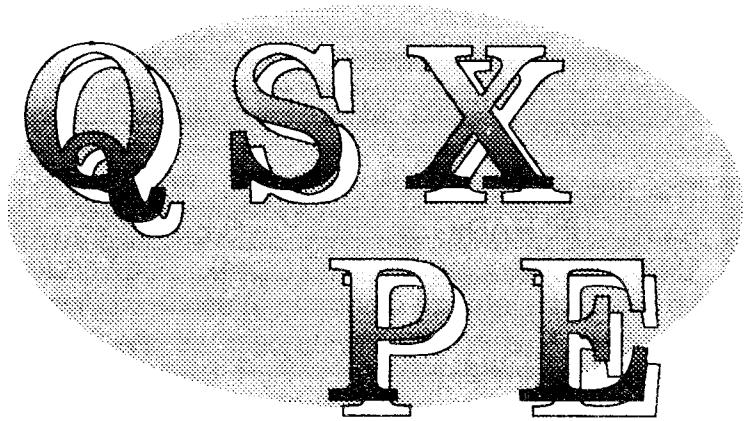


See
page
4



THIS NEWSLETTER IS PUBLISHED BY THE
PORT ELIZABETH AMATEUR RADIO SOCIETY

P.O. BOX 10402
LINTON GRANGE
6015

July 1996

NOTICE of MEETING

The first general monthly meeting of the **PORT ELIZABETH AMATEUR RADIO SOCIETY** will be held on **Friday, 12 July 1996**, commencing at 20:00 (8pm). The venue, as usual, will be the Civil Defence Centre in Westview Drive, Mill Park, Port Elizabeth, (which is now known as the Municipal Disaster Management Centre).

PLEASE NOTE: The date has been brought forward one week to avoid a clash with the VW Rally, which starts on our usual meeting date.

Final briefing of operators for the VW Rally will be given at this meeting, so all involved with the event are asked to make a point of being there.

Cheese & Wine

Business will be kept short and give way to a cheese and wine evening to celebrate the birth of our new Port Elizabeth Amateur Radio Society (PEARS).

Please make a special effort to attend and give our new Society a grand send-off.

The Port Elizabeth Amateur Radio Society greets all new Amateur Radio Clubs that have been formed in terms of the amended SARL Constitution and hopes that, hand in hand and together with the other previously existing radio clubs, we will all go from strength to strength in the coming years to the benefit of our hobby.

PEARS also wishes the SARL well in its new configuration and trusts that the change will facilitate its re-emergence as a body truly representative of Amateur Radio in South Africa, serving the interests of its members, in particular, and the hobby in general as it has done during its proud history of more than seventy years.

A Word from the Chair

The new era about which so much has been spoken in recent months has become a reality. On 30 June 1996, branches of the SARL, as we knew them, ceased to exist.

The Port Elizabeth Amateur Radio Society has been formed and will hold its first meeting on 12 July 1996. At an extremely well attended Branch meeting in June it was decided that the existing Committee would hold office to see the Society through the transitional period until September, when a special general meeting would take further decisions regarding dates of the financial year and subscription levels.

The financial levels should be structured to keep the Society on an even keel and fund our all important newsletter, QSX-PE and leave a little for day to day expenses.

By splitting subscription dates from those of the SARL, it is hoped that as many members as possible will find it within their means to be members of the mother organisation as well. It is most important that the membership base of HQ is strengthened, enabling them to be truly representative of the amateur fraternity.

The Port Elizabeth Amateur Radio Society invites all radio amateurs, short-wave listeners and electronic enthusiasts to attend our meetings, join in our social activities and hopefully become members of an enthusiastic group of people with similar interests. You will be most welcome.

73,

Dick ZS2RS

Healthy PEARS from Dying Branch

At a well-attended meeting of the PE Branch on 21 June, with unusually lively participation in the deliberations by a large number of members, some landmark decisions were taken. These were necessary to breathe life into a new organisation that would replace the PE Branch of the SARL as the latter expired at the end of June, courtesy of the new SARL Constitution.

With typical *savoir-faire* (a nice term for 'cunning'), the Chairman put forward various alternatives that had been proposed for a name, and the final choice was PORT ELIZABETH AMATEUR RADIO SOCIETY, which produces the acronym *PEARS*. As one wag said, hopefully there will not be any *prickly* pears! But it has always been a peach of a branch, with lots of go-man-go and many cherries among our members. We've also had some pawpaws, of course.

Meanwhile, back at the Branch, it was decided to appoint the existing Branch committee *en bloc* as the interim committee to run the Society until a special general meeting that would be held in September 1996, at which normal elections would be held.

Constitution

The main aspects of a draft constitution that

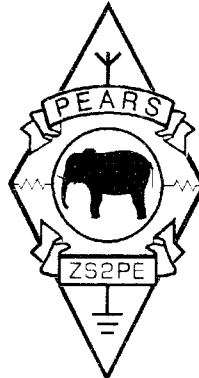
had been prepared by a sub-committee appointed for the task were sketched by the Chairman. The meeting agreed to adopt it as an interim working constitution which could be ratified or amended at the special meeting in September.

A copy of the document has been included with this issue of QSX-PE. You are urged to look through it and, if you would like any changes, discuss them in the meantime and propose any amendments that you want at the September meeting.

Our Badge

Along with the change in status and name, we have to adopt a new badge. A few ideas appear below, all based on the widespread tradition of a diamond, with some elements from the badge of the SARL in which the Society had its roots being retained, especially the specimen embodying a buck. The alce and elephant are the official plant and animal respectively of the Eastern Cape, while the dolphin probably suggests Port Elizabeth more specifically.

If you have any suggestions, you are invited to bring them along to the September meeting for consideration. Q



HAMNET NEWS

Hamnet General Meeting

The next Hamnet general meeting will be held on Wednesday, 7th August 1996 at 19:30 at the Municipal Disaster Management Centre in Mill Park. Future plans for Hamnet will be discussed at this meeting.

In view of the importance of this meeting, all members of Hamnet, as also interested amateurs, are asked to make a special effort to attend.

Fires

A while ago Mike ZS2IC came to my QTH and when he arrived I noticed smoke not far away in a Westerly direction. We investigated and found a veld fire near the QTH of Vic ZS2SZ. Mike called for help and Gerhard ZS2UM replied, and he phoned the fire brigade.

On Sunday, 9th June, we had an almost identical experience, only this time the fire was to the South and I used my handie-talkie. So what is the point? Well, it shows that we should all share in monitoring to make it more effective, whether we

are Hamnet members or not. Here we had Gerhard who was able to phone for us, and he is not even a Hamnet member. Thanks, Gerhard.

At the latest fire I noticed plenty of people just standing and watching while about five responsible youngsters made an effort to contain the fire. If the people who were merely watching had some initiative and some basic firefighting knowledge, it may have even been unnecessary to call out the fire brigade.

This brings us again to the desirability of all amateurs making some effort, even if only small, to prepare themselves for possible emergencies.

ID Cards

Any Hamnet member who does not have a Hamnet ID card should please let me know as soon as possible.

73

Al Akers.

**Provincial Director,
Hamnet East Cape**

VOLKSWAGEN RALLY

The inaugural General Meeting of the new PE Amateur Radio Society will take place on Friday, 12th July. One of the items on the agenda is the rally briefing. It is most important for all operators to attend this meeting to receive necessary documentation for the rally and, of course, to be briefed on the whole rally communications operation. See you there!

73,

Al, ZS2U'

MINUTES OF THE GENERAL MEETING OF THE PORT ELIZABETH BRANCH OF THE SOUTH AFRICAN RADIO LEAGUE HELD AT THE CIVIL DEFENCE CENTRE, MILL PARK, PORT ELIZABETH ON FRIDAY, 21 JUNE 1996

Present & Apologies: As per attendance register (± 44 members)

Welcome: Chairman Dick Schönborn ZS2RS welcomed the members and expressed his delight at the large attendance.

Minutes of the Previous Meeting: The minutes of the meeting held on 17 May 1996, as circulated in the June issue of QSX-PE, were taken as read. Their adoption was proposed by Fred Strutt ZS2JS and seconded by Gus Winter ZS2MC.

Matters Arising: None.

Finance: Treasurer Clive ZS2RT reported finances in a sound state and he was authorized to release funds for the purchase of a KAM unit for the packet system.

Correspondence: Nil.

New Business: The main object of the meeting was to discuss and finalize the draft constitution for the conversion of the Branch into a club in terms of the new SARL constitution. The club would be totally autonomous.

The Chairman outlined the contents of the document that had been prepared by a subcommittee and it was approved without dissent for adoption as an interim constitution. Copies would be posted to all members for perusal and any 'fine tuning' that members consider necessary would be undertaken at a special general meeting to be called in September 1996.

The name of the club will be PORT ELIZABETH AMATEUR RADIO SOCIETY. This was decided by a considerable majority of those present, 31 voting in favour after each element in the name had been discussed separately.

A proposal that the present Committee act in caretaker capacity until a special general meeting is held in September (the Branch's traditional AGM time) was made by Vic ZS2SZ and seconded by Fred ZS2JS. This was carried.

Vic Olivier ZS2SZ, seconded by Garth Laaks ZS2HB, proposed that all assets of the Branch be transferred to the Society with effect from 1 July 1996. This was carried unanimously and the Treasurer was authorized to make the necessary arrangements with all concerned for our Branch assets, including investments, to be transferred into the name of the Society.

The question of a logo was brought up and members were urged to contribute any practical ideas to Garth ZS2HB, who had drawn up a few adaptations from the existing badge as possible alternatives. These would be printed in the July issue of QSX.

The Committee was authorised to determine the subscriptions payable for an initial

period of one year or less from 1 July 1996 as may be necessary to carry members over as fully paid-up at least until the special general meeting in September.

General:

- **VW Rally** – Al ZS2U gave the meeting a brief outline of what was expected of our Society at the forthcoming VW Rally. More volunteers were required.
- **RAE Classes** – Classes would continue as before. A course leader has not yet volunteered.
- **Next Meeting** – The next meeting would be on Friday 12 July in view of the VW Rally occurring on our normal date. The meeting would take the form of a cheese and wine evening to celebrate the establishment of the new Society. The ladies of the Society would be asked to make arrangements for the catering.

The meeting closed at 21:12.

INTERIM SUBS DUE

In order to have a vote at the meetings of the Society, and especially at the very important special general meeting that will be held in September, you have to be a fully paid up member of the Society. Since we will have to decide at that meeting what fiscal year the Society will observe, no "subscription year" can be defined at present. The Committee has therefore decided to raise an interim subscription of only ten rand (R10) per member for the period 1 July to 30 September 1996.

Please let our Treasurer have your subscription before the September meeting so that you will be able to have your say about the Constitution and other issues, to nominate committee members and vote.

You should also receive a notice from the SARL reminding members that their subs are due for renewal and inviting non-members to join, making use of the new "scale of benefits". Please note that *subscriptions for the SARL should be posted direct to that organization* at the address furnished in the reminder, *not* to your Society Treasurer. The latter gentleman is responsible only for *PEARS* subscriptions.

FOR SALE ★ WANTED ★ SWOP

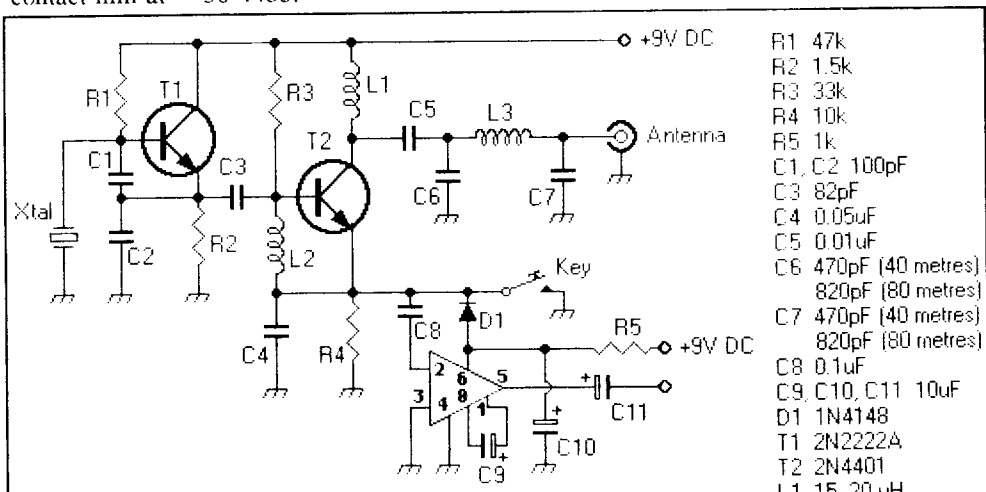
WANTED

- ★ (a) Modest second-hand **2 metre transceiver** for packet radio operation. Will even consider offers of VFO or crystal controlled converted commercial equipment; (b) **Azimuth / elevation antenna rotator** – Ken Tremeer ZS2BWB ☎ (041) 661786 all hours

Fiddlers' Corner

Miniature 40/80 Metre Transceiver

This month we feature a fun transceiver that you can fit into a matchbox yet work across the town - or at least up the street - on 40 or 80 metres. Viv ZS2VM found it lacking a little in audio output and is planning to add a transistor to boost it somewhat. If you are interested in putting the circuit together and would like to know more about Viv's mod, contact him at ☎ 30-4433.



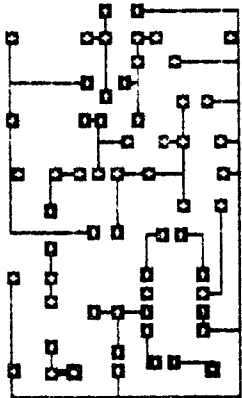
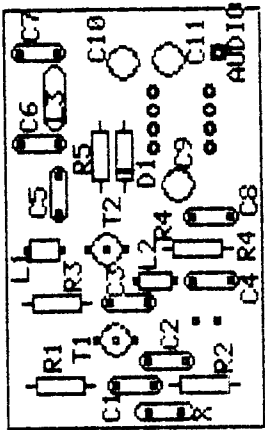
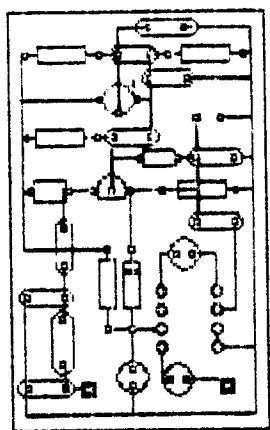
- R1 47k
- R2 1.5k
- R3 33k
- R4 10k
- R5 1k
- C1, C2 100pF
- C3 82pF
- C4 0.05uF
- C5 0.01uF
- C6 470pF (40 metres)
820pF (80 metres)
- C7 470pF (40 metres)
820pF (80 metres)
- C8 0.1uF
- C9, C10, C11 10uF
- D1 1N4148
- T1 2N2222A
- T2 2N4401
- L1 15-20 uH
- L2 100 uH
- L3 1 uH (40 metres)
2.2 uH (80 metres)

MINI TRANSCEIVER

Component layout (copper side)

Component layout (component side)

Printed Circuit Board



Mini Battery Charger

VIV MOORE ZS2VM

Nickel cadmium batteries may be charged by either passing a constant current through the battery, irrespective of state of charge, or by applying a constant voltage that will allow an initially high flow of current that reduces as the battery terminal voltage rises.

In this case we will deal with constant current.

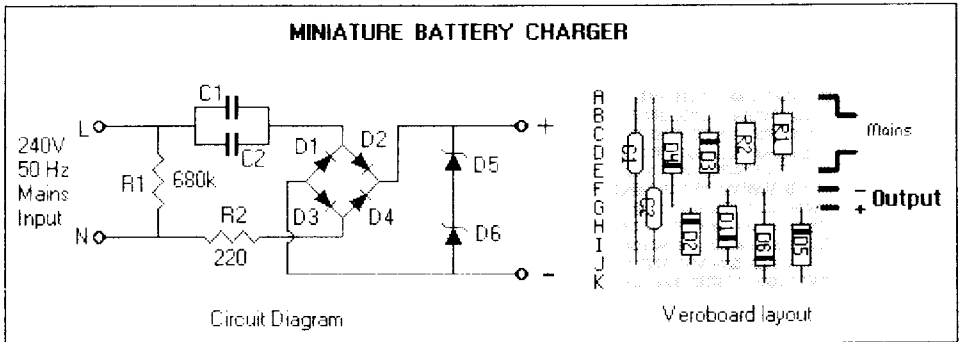
The theory is that, if we start with a high charging voltage, say the full rectified mains voltage of 230 volts, then the battery terminal voltage will have very little effect. If we were to restrict the flow to 50 mA with a resistor, we would need a resistor of about 4700Ω and 12 Watts.

Instead, we could use a capacitor where the reactance is frequency selective and

rate is $150/10 = 15$ mA, and for a 500 mA cell the rate is $500/10 = 50$ mA.

Charging time required at the 10 hour rate to fully charge a discharged battery is 14 hours.

At these rates, over-charging for a short period will not seriously affect the life of the cell. A lower charging rate could be selected but then the period has to be extended, i.e. at a 20 hour rate the charge time would be $20 \times 1.4 = 28$ hours.



use the formula $X_c = 1/[2\pi fc]$.

Without showing all the maths we arrive at:

Capacitor [μF]	Charging current [mA]
1	75
0.5	37.5
0.33	25
0.1	7.5

Charging current should not exceed the 10 hour rate, i.e. for a 150 mA cell the

To prepare your charger:

- Check the capacity rating of the cells and decide what rate you wish: 10 hour, 20 hour etc.
- Establish the current level: $I = \text{capacity}/\text{rate}$.
- Calculate $C (\mu\text{F}) = I (\text{mA}) / 75$. Select the nearest value of C below the value calculated.

A practical circuit for ± 50 mA, using the

following component values, is depicted in the figure above:

- R1 680k ½ Watt
- R2 220Ω ½ Watt
- C1, C2 0.33 μF in parallel to provide 0.66 μF
- D1-D4 1N4007
- D5-D6 Zener 1 Watt

For batteries up to 5 cells, short out one of the zeners. Use two zeners for batteries using 6 to 10 cells. The total

zener voltage should always exceed the battery voltage.

NOTE: Without the zeners, the output terminal voltage with no battery connected would be at the mains voltage, so—

TAKE CARE! THERE ARE MAINS VOLTAGES PRESENT!

[QSX-PE, the Editor, the author and the PE Amateur Radio Society accept no responsibility for any injury of any kind to person or property arising from the use of this article.]

Packet:

A ROSE for PEARS

Chris Scarr ZS2AAW has had a ROSE switch on test at his QTH which is destined for the repeater site at Grahamstown to replace the existing digipeater. This unit has been working happily into ZS0NTP and will hopefully continue to do so once it is installed at the site.

The advantage of the ROSE over an ordinary digipeater is that, in effect, one connects to the ROSE itself and it then connects to the destination station. Instead of simply relaying everything between the two stations, it first analyzes the packets that it receives on each leg and ensures that all is well before passing them on. This means that queries are restricted to the particular legs on which they occur, while a digipeater simply repeats each frame and the end stations have to issue their own queries. These and the responses are transmitted on both legs, consequently taking longer to correct and adding to the channel occupancy time.

To call a station via the ROSE switch, you transmit the CONNECT signal plus the callsign of the wanted station, [space] V [space] ZSØGHT,046101 [enter]. Baycom users would use, for example

```
.C ZS2PP V ZSØGHT,046101 [enter]
```

The figures 046101 represent the telephone dial code for Grahamstown, followed by a two-digit identifier for the particular switch. These are required for directing traffic to the appropriate switch in a ROSE network. No, we don't use the telephone system, just their numbering scheme!

Some time we should get one of our literate members to explain the whole system to us.

↵ A packet message recently warned of the dangers of inhaling fumes while soldering. They can affect one's lungs, the author warned, and he described in detail the exhaust fan system that he devised to suck the fumes away.

However, it seems they might affect the brain too. His text consisted of 17 lines but his "signature" contained 23 lines, including four lines of framing around a whole host of totally unnecessary personal information, and on top of all this he added the new fad of a PGP "signature" that occupies six lines. *And this all junk went to every BBS world-wide!*

Regrettably too few packeteers stop to think how their superfluous "signatures" degrade the whole world's packet system beyond their home BBS. And this practice is getting worse almost by the day. **Q**

Hither & Thither

RAE Successes

Congratulations to Johannes Pieterse, Ian Moore, Marina Jorritsma, Denise Lee, John Raven and Andrew Smith on passing the RAE. Johannes achieved straight A's, Ian Moore an A aggregate, but a special pat on the back must go to Marina for securing an A for Regulations, a C for technical and an overall B mark. Well done, all of you!

Although RAE entrants are now able to indicate on their entry forms whether they require the immediate issue of a ZR licence upon passing the RAE, something seems to have gone awry and they only received application forms for the ZR licence with the notification that they had passed. This means that there is still the long wait for the issue of the licence. The PE proposal was that the PMG should immediately prepare a licence for a successful candidate and forward it to the appropriate postmaster. The candidate would then simply pay the fee and collect his licence, all within a week or two of hearing the result of the RAE.

Must have been a communication gap somewhere, but hopefully the SARL will take the necessary action.

Clubs and the PMG

Since clubs are now autonomous, they have the right to approach the PMG direct

on any regulatory or licensing matter. By the same token, the SARL is not obliged to consult the clubs before approaching the PMG for whatever concession, variation or additional control it would like to have introduced - the safeguard introduced only recently in Rule 152 of the old Constitution has fallen away. Since these matters usually affect members of the SARL and non-members alike, perhaps the clubs, which are likely to have a high percentage of non-SARL members, should advise the PMG of their new status and ask him to make a practice of consulting them whenever appropriate.

QSLs for Packet Messages

Many packeteers solicit and send QSL cards to distant stations with whom they have simply exchanged messages via the

**REMEMBER THE CONSTRUCTORS'
MEETING AT 19:30 ON WEDNESDAY
EVENING, 24 JULY 1996 AT THE
DISASTER MANAGEMENT CENTRE
(CIVIL DEFENCE CENTRE)**

VHF or UHF "mailbox" facilities of their respective home bulletin boards. They have

each made purely local calls and have *not* been in direct communication - the long-distance forwarding was done by the Sysops along the chain. I have seen such cards that provide all the data associated with a direct contact, including RST reports.

I might have asked this before: How many of these are used for claiming certificates and awards, particularly in Europe, for example, where direct contacts on VHF

between various countries is quite common?

Has the QSL card lost its original function? Does it really mean anything any more?

Field Day

And don't forget that the South African Field Day event will take place in September (unless the date is changed again) so you might want to start sprucing up your equipment. The Society will be calling for volunteers to man its field station so keep that in mind too.

Variable Test Load - Correction!

In the article Variable Test Load for PSUs on page 7 last month, the end of the second paragraph ended with "delivered to it from your transmitter". This should have read "... from your PSU". Sorry, but blame the printers. I may have typed up the article, but they printed it, didn't they?

Our other eagle-eyed reader pointed out that the heading Packet Scene on page 12 was inappropriate - the article dealt with the HF spur of the linked repeater system. That was a test to see if readers actually *digest* what we give them.

QSL Card Sizes

Remember the restriction on the size of QSL cards necessarily adopted by the QSL Bureau in order to keep costs down. The SARL QSL Bureau Manager, Len Silberman ZS6BYE, has negotiated a special bulk rate for cards to be shipped overseas. The weight and size of parcels affects the charge and this necessitates the restriction. We were, of course, asked to

comply with the international standard several years ago, although larger cards continued to be handled at some inconvenience but often suffering damage in transit. So get your scissors out if your cards are larger than 90 x 140 mm.

Birthday List and Bulletin Roster

Bulletin readers sometimes omit to announce some of the birthdays due, probably, to a lack of clarity as to how the birthday list in QSX works. Maybe it's a bit obscure to members also, so here's how it works: A month's birthdays and anniversaries are usually spread over two issues of QSX because I list the events from the Monday following the upcoming general meeting to the Sunday following the next month's meeting. It seemed to me that this kept them reasonably current from one issue of QSX to the next.

The bulletin duty roster works in a similar fashion, although it extends to about six weeks so readers know well in advance when they are due to do their stuff.

UK gets New Band

A packet message tells us of an announcement by the RSGB that their Radiocommunications Agency has made a new band available to hams. It is 71.6 - 74.4 kHz (yes, *kilohertz*). It will be available to any Class A licensee who wishes to investigate LF propagation. The individual's licence must be especially endorsed for the purpose.

Maximum permitted ERP is 1 watt, and other conditions also apply. The facility will no doubt be used for experimental communications for potholers and in mines. Didn't a South African ham take underground propagation a major step forward a while ago? I've forgotten who he is, unfortunately.

Morse and Tone Deafness

I got to thinking about the hearing problems that have become so prevalent in recent years which seem to thwart many hams' efforts to pass the morse test. There appear to be two main variations – in one case one cannot properly hear certain parts of the audio spectrum while, in the other, the dits and dahs tend to flow into one another without clear intervals between them due to "ringing" of the tones in the ear.

Now, we have heard about those who have succeeded in feeling the dits and dahs with their fingertips on the cone of a loudspeaker, but this is probably not for the faint-hearted.

So, thinking back to my early days as a telegraphist, I realized that neither of these problems should exist with the "clicker" morse system used on the landline telegraph circuits of yore. Moreover, the "sounders", to give the receiving units their official name, were eminently suitable for reception through fingertips and even visually. In fact, we often used to read the morse on the galvanometer movement (like a large meter needle) visually too, so it can be done!

Who is going to be the first to produce a tone-to-clicker unit to plug into the receiver output? A de luxe version could include an LED and meter!

The Mini Receiver

In last month's QSX, the article on the Mini Receiver for 40 metres was written for us by Fanie ZS2EM. We forgot to give him credit for a most interesting item. *Dankie, Fanie!*

Stuck Microphone

Who was the knucklehead who, over a period of many days, blocked the repeaters (even during a Sunday bulletin) with his PTT button jammed on while travelling around the City area?

One of our members recorded some of the in-car conversations and might be prepared to part with copies of the skinnerstories at a price...

Then we have the oke with a VFO (but probably no licence) who likes to sweep his transmitter up and down the 40m band, often alighting on an occupied frequency. Ah, well.

Food for Thought

From EDMSA News: "Prepare and prevent, rather than *repair and repent*" –S. Thompson, 1856.

Also: "If you ain't leading or following, then you better get the heck out of the way! The kind of person who won't lead and can't follow makes a dandy roadblock for progress."



Instant Printing

FOR ALL YOUR
PRINTING REQUIREMENTS

9 St. Patricks Road, Port Elizabeth 6001

Telephone: (041) 55-2614

Try us for your QSL cards!



Sympathy— We were all sorry to learn of the recent passing of Bill Hodges, former Radio Inspector based in Port Elizabeth and the gentleman who put many local amateurs through their morse tests. We extend our sympathy to his family. [Note: This report should *not* be confused with Bill Hodges ZS2ABZ, the well-known member of our Society, who is thankfully still with us.]

Congratulations

on your birthdays:

July

- 22 Beavan Gwilt ZS2RL
- 26 Daniel Burger ZR2B
- 29 Des Pettit ZS2ABU

August

- 1 Mandy Masters XYL of John ZS2AAN
- 2 Sharon Layton ZS2SL
- 3 Louisa Taljaard XYL of Ben ZR2CS
- 6 Julia Atteridge XYL of William ZS2V
- 11 Ben Schilder ZR2ABE
- 15 Annamarie Barnard XYL of Attie ZR2DY
- 18 Al Akers ZS2U
- 19 Charles Thwaites ZS6BUC

on your anniversaries:

July

- 22 Terry & André de Ridder

August

- 4 Annelise & Mark Venter ZR1MLV
- 5 Shirley & Tom Cockbain ZS2TC

- 9 Annamarie & Attie Barnard ZR2DY
- 20 Ria & Paul de Vos ZS2ABY

Welcome back Brian Weller ZS2AB, who has rejoined to make our erudite community even eruditer after too long an absence. Good to have you and Marge ZS2OB officially in our midst again, Brian!

Travellers Julie ZR2EY & Trevor Scarr ZS2AE to UK and France, Owen Thomas ZS2AZ to UK and USA, and Kathy & Wolf Gerstle to Germany.

David Butcher ZR2DCB on MV Doulos still sailing around the Far East sends 73/88. Has been doing *three* shifts, including bashing the drums in the Mission band on top of his electro maintenance and engine room duties. [Is Doulos a *slave* ship?] In his *spare* time he hits the streets with missionary work. To celebrate his birthday, the contents of his wardrobe were redistributed around the ship. Guess it's a new type of treasure hunt.

CD Centre has new name

The building where we hold our various meetings, known for several years as the Civil Defence Centre, has undergone a name change, like so many other things in the new RSA. It is now officially known as the **Municipal Disaster Management Centre**, or DMC for short.

Your Society's Committee

Chairman, Special Events	Dick Schönborn ZS2RS	38 5070
Vice Chairman	Al Akers ZS2U	30-2983
Secretary	Bert van der Poel ZR2USA	55 2690
Treasurer, Assets Control	Clive Fife ZS2RT	32-3203
assisting with Assets Control	Lynne Crothall ZS2MM	35 4671
Social, Library, Awards	Owen Thomas ZS2AZ	38 4134
assisting with refreshments at meetings	Bill Hodges ZS2ABZ	51 2580
Repeaters, Packet	Chris Scarr ZS2AAW	38 1344
QXN Monthly	Trevor Scarr ZS2AE	32 1746
assisting as QXN Editor/layout	Garth Laaks ZS2HB	38 1101
Technical Classes	To be announced	

PEARS' VHF & Other Services

REPEATERS

Town VHF	145,050/650	Grahamstown	145,150/750
Town UHF	431,050/438,650	Kareedouw	145,125/725
Cockscomb	145,000/600	Lady's Slipper	145,100/700
Craddock	145,050/650	Uitenhage	145,075/675

← East London's repeater on 145,125/725 MHz is linked to PE's coastwise 2m repeater system

OTHER SERVICES

Packet Bulletin Board (ZS0NTP)	144,675
Packet Rose Switch (Grahamstown - ZS0GHT,046101)	144,675
2m Beacon (ZS2VHF CW ID)	144,910
6m Beacon (ZS2SIX CW ID)	50,005
6m Link with Lady's Slipper 2m Repeater	51,400
Wefax Relay (Motosat)	145,350

Sunday Bulletins

PEARS bulletins are transmitted on Sundays immediately after the SARI English transmission, i.e. at about 08:45, on 7098 kHz as well as the 2 metre linked network that provides coverage from East London to George and environs via repeaters on 145,750 MHz (Grahamstown), 145,700 (PF Slipper), 145,650 (Kareedouw), 145,700 (George) and East London's 145,725. PEARS 7098 or 3640 kHz transceive facilities are also remotely linked as needed. Alternatively, the SARI's 40m transmissions on 7082 or 7066 kHz can be patched in for automatic relay to the 2m system.

Date	Prepare and Read on 145,750
14 Jul	ZS2U
21	ZR2USA
28	ZS2RT
4 Aug	ZS2AAW
11	ZS2RS
18	ZS2U

DIARY DATES

JULY

- 12 First Society Meeting
- 19/20 VW Rally
- 24 Constructors' Gathering

AUGUST

- 4 SARI HF SSB contest

★ Now We Like Being Your Society! ★